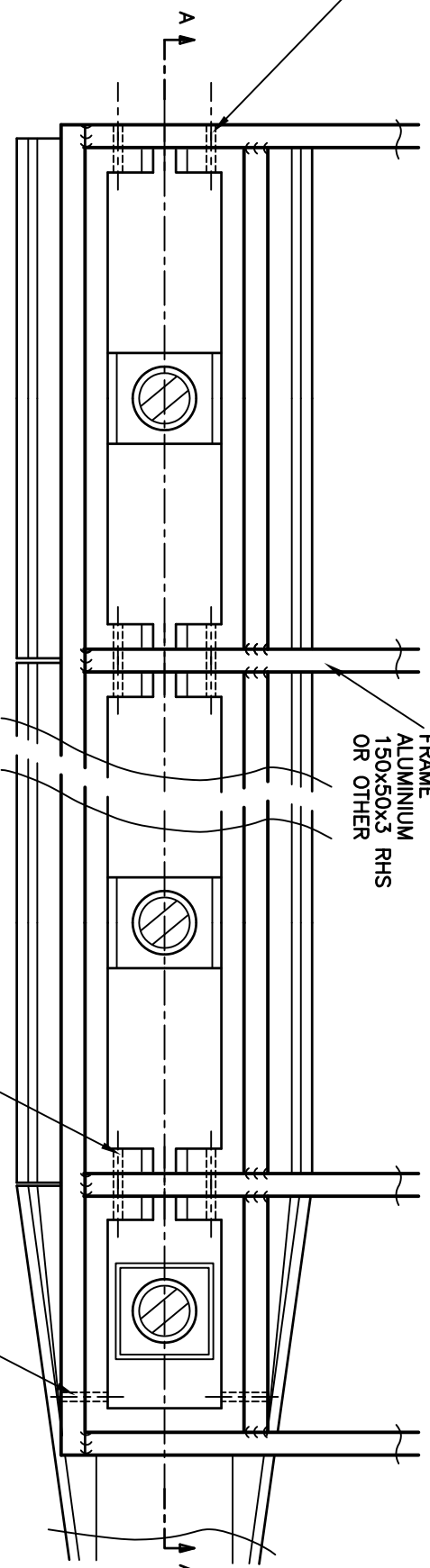


COPYRIGHT ALL RIGHTS RESERVED

DO NOT SCALE

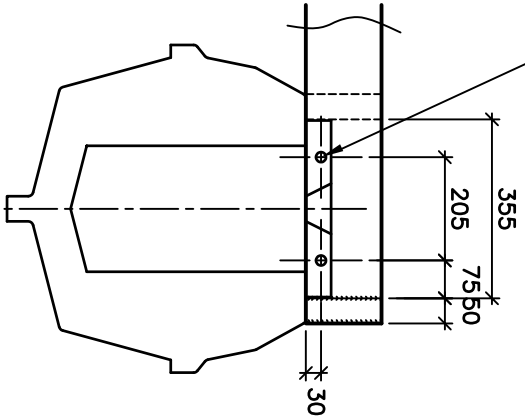
FASTENER,
SAME AS NOSE CONE
SIDE FASTENER

NOTE - FOR FLOAT DETAILS,
REFER TO A4-184
AND A4-306.



PLAN VIEW

Ø 12 HOLES
TO BE DRILLED FOR FLOAT
MOUNTING.



END VIEW

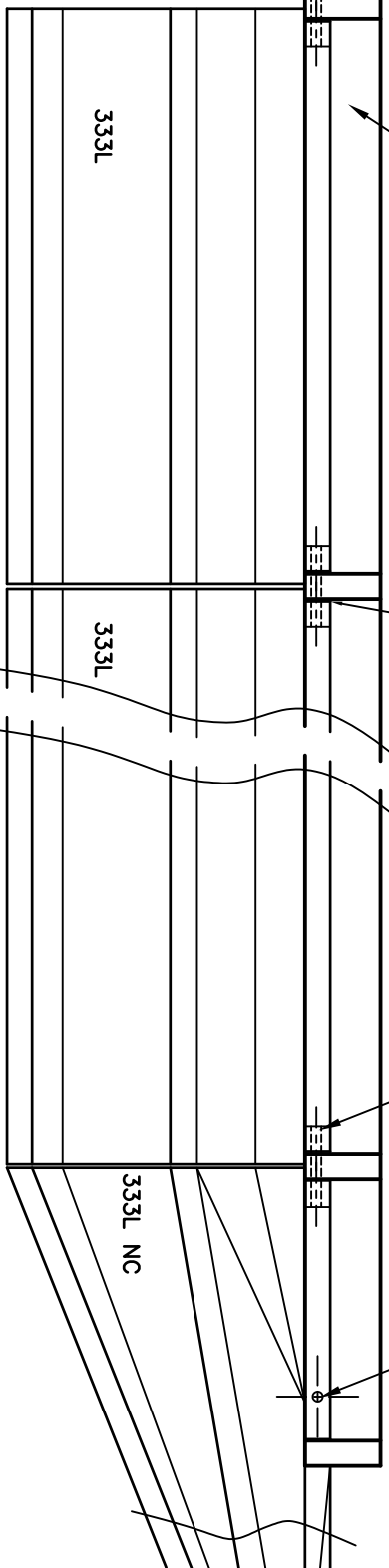
FRAME
ALUMINIUM
150x50x3
OR OTHER

FRAME
ALUMINIUM
150x50x3
OR OTHER

PACK GAP WITH
ALUMINIUM OR
PLASTIC SHIMS
PRIOR TO
TIGHTENING

CENTRE FASTENERS
M10 x 180 HEX BOLT
NYLOC NUT AND 38mm
FLAT WASHERS ALL 316SS
WITH NYLON SEPERATORS

SIDE FASTENERS
M10 x 125 HEX BOLT
NYLOC NUT AND 38mm
FLAT WASHERS ALL 316SS
WITH NYLON SEPERATORS



SECTION AA

MARINE DOCK SYSTEMS
PTY LTD

PONTOON CRAFT
DETAIL

FLOTATION MODULE
ASSEMBLY



SCALE	N.T.S.	DRAWING No.
DRAWN	J.P.M	A4-774
DATE	31,10,95	REV
		A